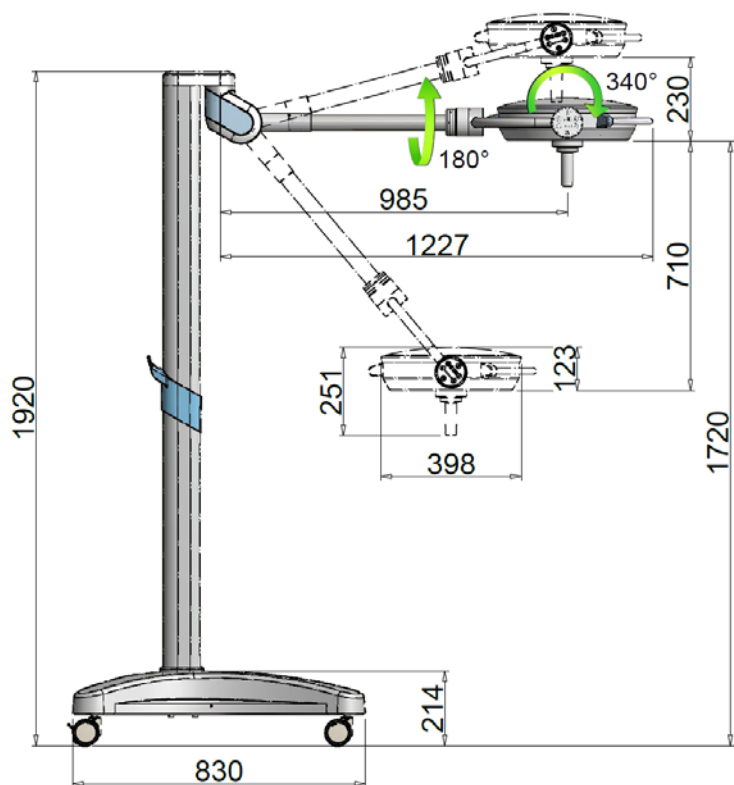




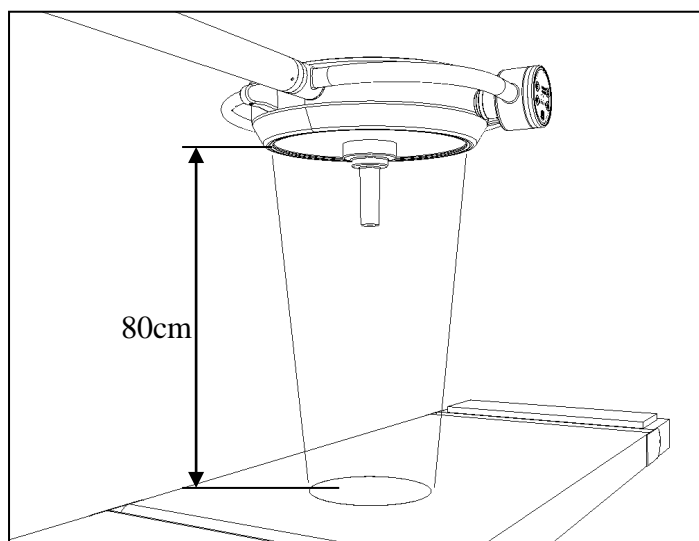
**ORION 40 DS**  
**Ref LC103LRD**

**TECHNICAL DATA**



<b>Performances at 80cm distance</b>	
<b>ORION 40 DS</b>	
Light intensity at 80cm (Ec)	130klx (5000K) 60klx (with DENTAL CARE)
Color temperature (K)	4500/5000
Color rendering index (CRI)	96
R9	90
Luminous source	n°30Led x1,4W
Focusing	Fixed
Depth of light field	49 cm
Diameter of light field d <sub>10</sub> (with small diameter selected)	13 cm
Diameter of light field d <sub>10</sub> (with big diameter selected)	21 cm
Radiated energy (Ee)	299 W/m <sup>2</sup>
<b>Electrical data</b>	
Primary voltage (Vac)	110/230 V
Secondary voltage (Vdc)	24 V
Frequency	50/60 Hz
Power absorption	70 VA

**WORKING DISTANCE**



To obtain the optimization of the light intensity, it is recommended to use the product at the distance of 80cm.

However, the product ensures a good light intensity even when used at a distance range between 70cm and 130cm.