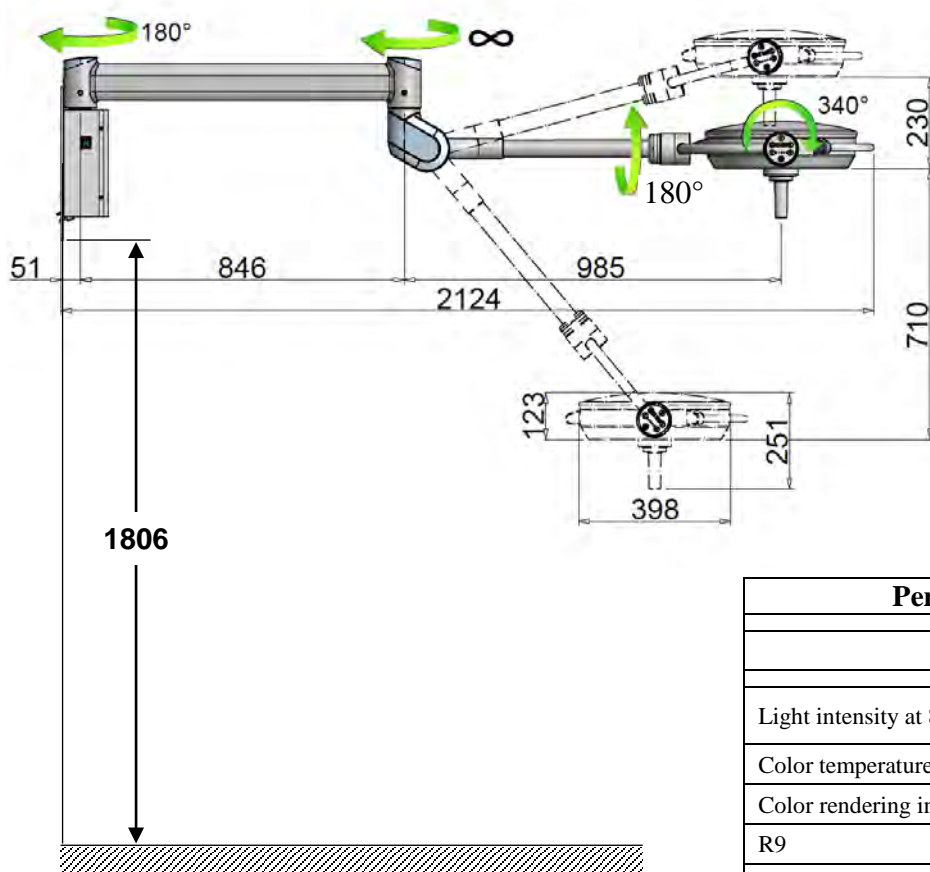




**ORION 40 DS**  
**Ref LC101LRD**

**TECHNICAL DATA**



<b>Performances at 80cm distance</b>	
<b>ORION 40 DS</b>	
Light intensity at 80cm (Ec)	130klx (5000K) 60klx (with DENTAL CARE)
Color temperature (K)	4500/5000
Color rendering index (CRI)	96
R9	90
Luminous source	n°30Led x1,4W
Focusing	Fixed
Depth of light field	49 cm
Diameter of light field d <sub>10</sub> (with small diameter selected)	13 cm
Diameter of light field d <sub>10</sub> (with big diameter selected)	21 cm
Radiated energy (Ee)	299 W/m <sup>2</sup>
<b>Electrical data</b>	
Primary voltage (Vac)	110/230 V
Secondary voltage (Vdc)	24 V
Frequency	50/60 Hz
Power absorption	70 VA

## CHARACTERISTICH OF WALL ANCHORING

### - MECHANICAL ARRANGEMENT OF THE SITE

The building slab arrangement works to install the product must be carried out in a solid and safe way according to the standards by qualified personnel at total end-customer care.

By qualified personnel we mean, including but not limited to, the following professionals: Building Engineer, Surveyor, Building Contractor, duly registered with the Professional Register.

The wall must have a capacity and thickness suitable for equipment support.

The installation site must be declared fit for use.

The process of mechanical anchoring of the wall plate must be carried out by determining in advance to which type of wall we are going to anchor the device and behaving accordingly; As a non-exhaustive example, we list some of the types of wall and related anchoring methodology:

**Reinforced concrete**      *Mechanical anchoring:* proceed with fixing of plate by n°6 mechanical anchors<sup>(3)</sup> carefully following the instruction given from the anchors manufacturer.

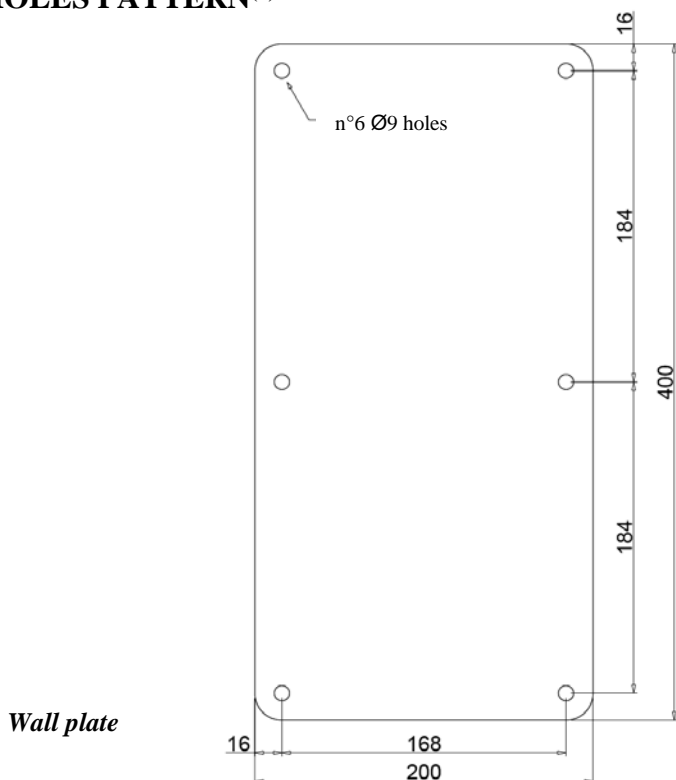
*Chemical anchoring:* proceed with fixing of plate by n°6 chemical injection anchors<sup>(3)</sup> carefully following the instruction given from the anchors manufacturer.

**Plasterboard /  
Clay-cement mix**      In this case it is compulsory to enclose the wall sandwich-like by the Product plate and the counter-plate.

Plate and counter-plate must be enclosed to each other with steel threaded bars<sup>(3)</sup>, blocked at each side ends by respective washers, nuts and lock nuts.

<sup>(3)</sup> allowed the use of anchors / threaded bars of size up to a maximum of M8 due to the diameter of the holes of the plate.

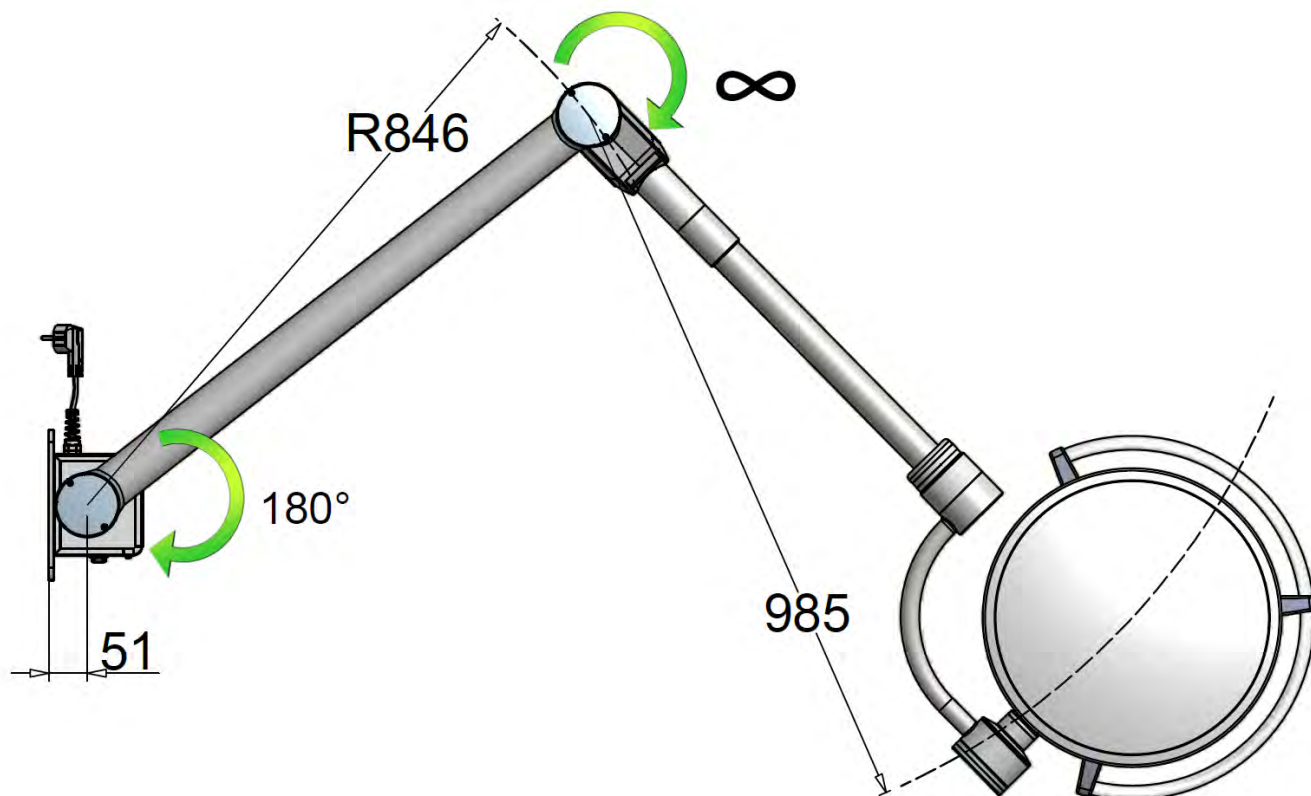
### - HOLES PATTERN<sup>(4)</sup>



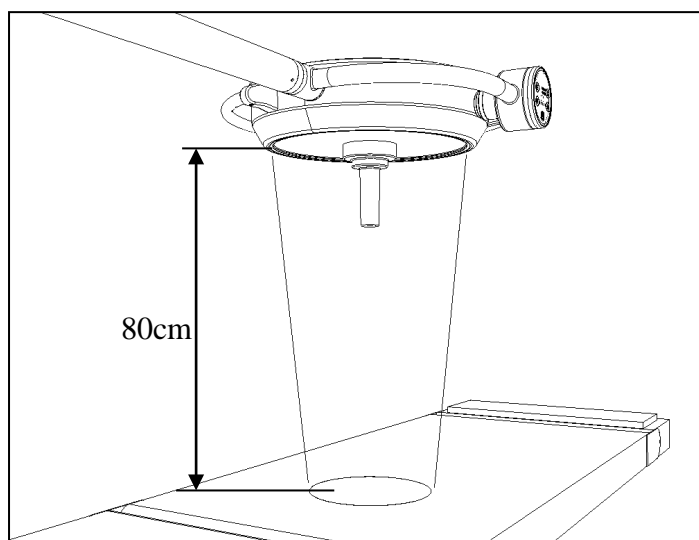
**Note**

(4) optionally, it is possible to require the provision of the additional counter-plate, for sandwich-like fixing of the product. For more information or request of the plate and counter-plate system, contact customer service.

**OPERATIVE AREA OF PRODUCT**



**WORKING DISTANCE**



To obtain the optimization of the light intensity, it is recommended to use the product at the distance of 80cm.

However, the product ensures a good light intensity even when used at a distance range between 70cm and 130cm.