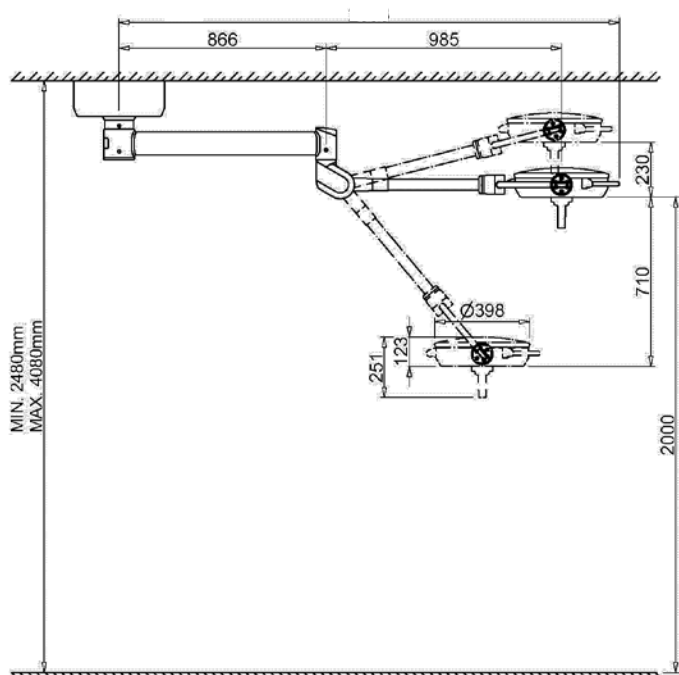


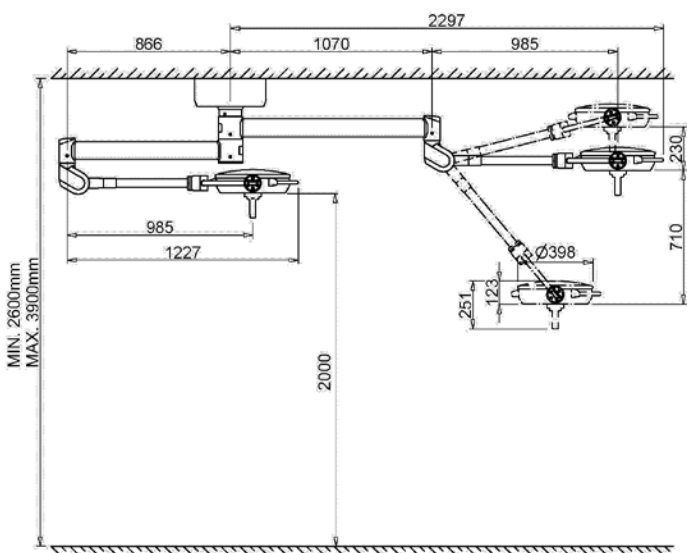


ORION 40 DS
Ref LC102LRD

TECHNICAL DATA



SINGLE ceiling model⁽¹⁾



DOUBLE ceiling model⁽²⁾

Performances at 80cm distance	
ORION 40 DS	
Light intensity at 80cm (Ec)	130klx (5000K) 60klx (with DENTAL CARE)
Color temperature (K)	4500/5000
Color rendering index (CRI)	96
R9	90
Luminous source	n°30Led x1,4W
Focusing	Fixed
Depth of light field	49 cm
Diameter of light field d ₁₀ (with small diameter selected)	13 cm
Diameter of light field d ₁₀ (with big diameter selected)	21 cm
Radiated energy (Ee)	299 W/m ²
Electrical data	
Primary voltage (Vac)	110/230 V
Secondary voltage (Vdc)	24 V
Frequency	50/60 Hz
Power absorption	70 VA

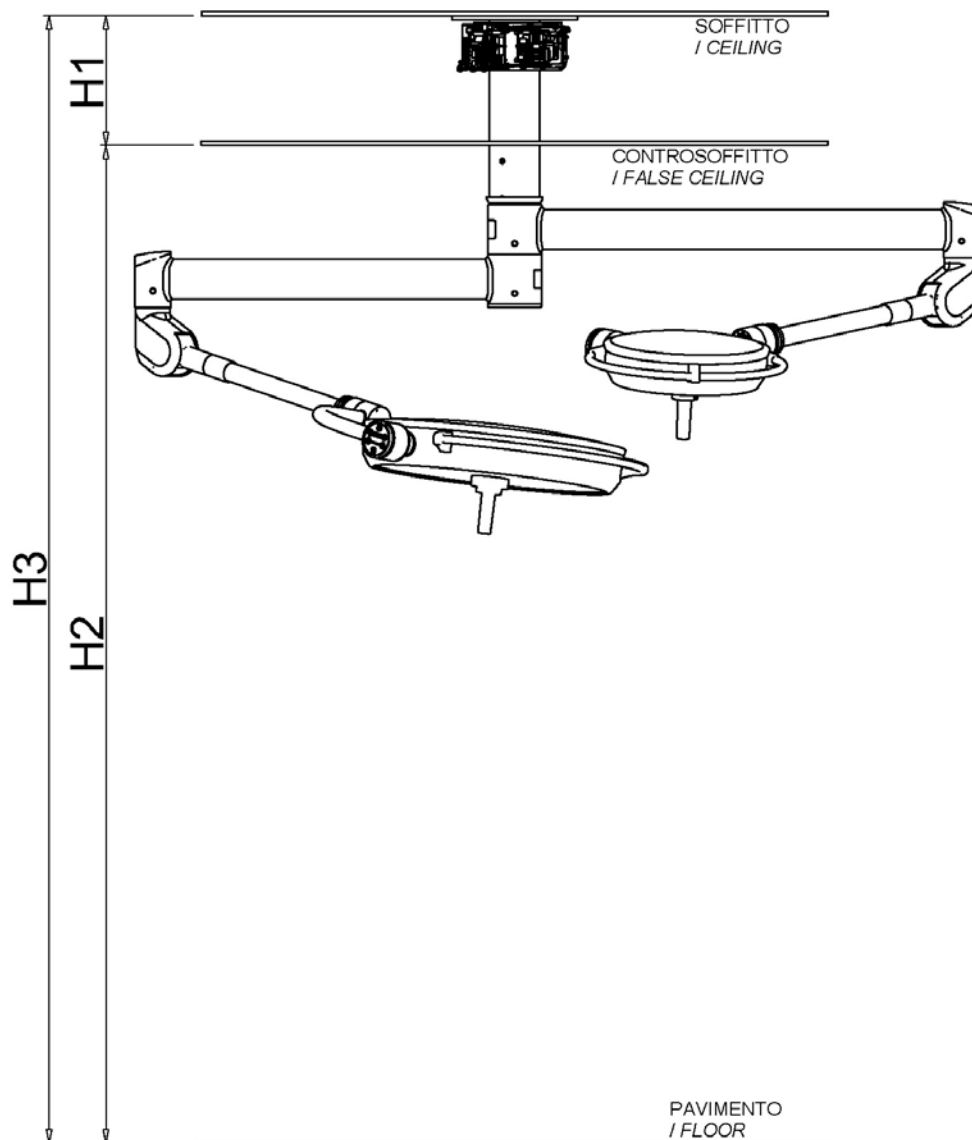
IMPORTANT

AT THE MOMENT OF THE ORDER INDICATE THE CEILING HEIGHT FILLING THE APPPOSITE FORM IN THE NEXT PAGE

Note

(1) (2) in conditions of room heights less or greater that the indicated ones, or in presence of false-ceiling, contact customer service for an evaluation on the feasibility of the project.

SCIALITYC LAMP SUPPLY SPECIFICS



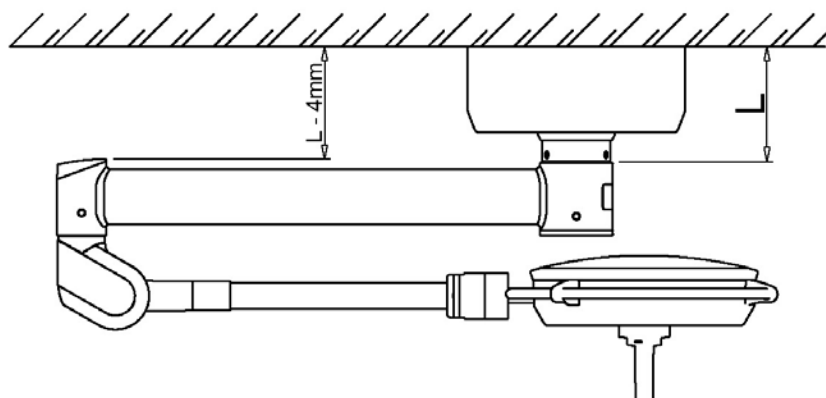
Prego compilare / Please fill in:

Data <i>Date</i>		Articolo <i>Model</i>	
Rivenditore <i>Dealer</i>			
Alimentazione <i>Power supply</i>			
H1 (cm)		H2 (cm)	H3 (H1+H2) (cm)
Firma <i>Signature</i>	_____		

TABLES OF ANCHORING TUBE'S LENGTH

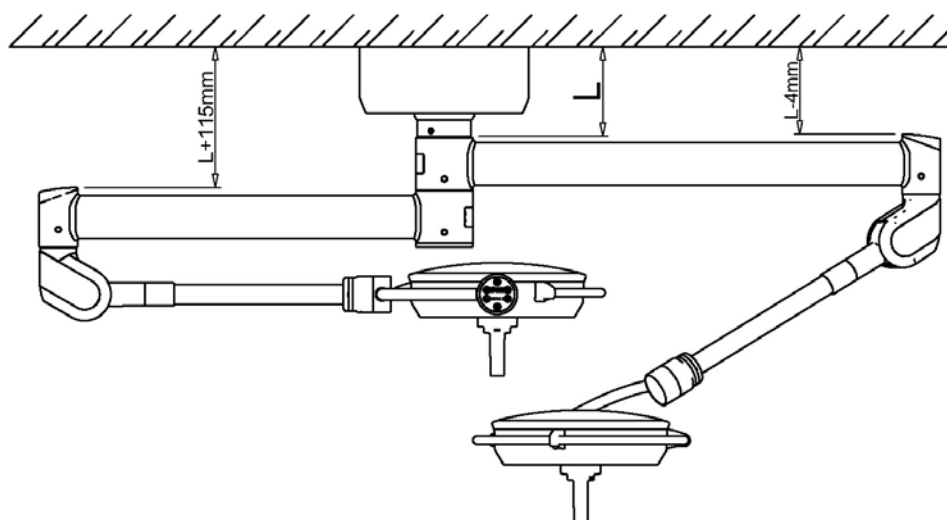
The anchoring tube, depending on the room's height indicated in the order phase, is calculated and provided at the right length in order to guarantee the installation of lamp at 2mt from floor.

Ceiling single



H [mm]	L [mm]
2480	200
2580	300
2680	400
2780	500
2880	600
2980	700
3080	800
3180	900
3280	1000
3380	1100
3480	1200
3580	1300
3680	1400
3780	1500
3880	1600
3980	1700
4080	1800

Ceiling double



H [mm]	L [mm]
2600	200
2700	300
2800	400
2900	500
3000	600
3100	700
3200	800
3300	900
3400	1000
3500	1100
3600	1200
3700	1300
3800	1400
3900	1500

CEILING ANCHORING CHARACTERISTICS

- MECHANICAL ARRANGEMENT OF THE SITE

The building slab arrangement works to install the product must be carried out in a solid and safe way according to the standards by qualified personnel at total end-customer care.

The slab must have a capacity of at least 300 Kg/m² and a thickness of at least 250 mm.
The installation site must be declared fit for use.

The process of mechanical anchoring of the ceiling plate must be carried out by determining in advance to which type of slab we are going to anchor the device and behaving accordingly; As a non-exhaustive example, we list some of the types of wall and related anchoring methodology:

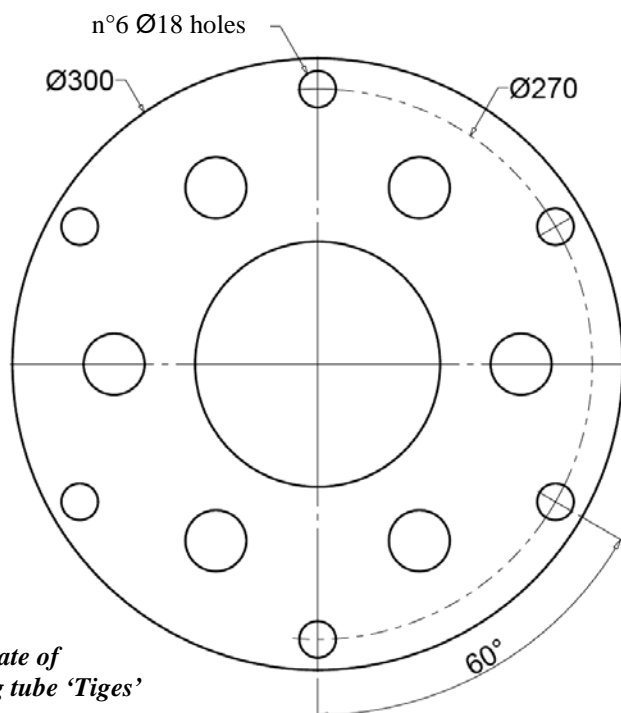
Reinforced concrete *Mechanical anchoring:* proceed with fixing of plate by n°6 mechanical anchors⁽³⁾ carefully following the instruction given from the anchors manufacturer.

Chemical anchoring: proceed with fixing of plate by n°6 chemical injection anchors⁽³⁾ carefully following the instruction given from the anchors manufacturer.

Clay-cement mix In this case it is compulsory to enclose the slab sandwich-like by the Product plate and the counter-plate.
Plate and counter-plate must be enclosed to each other with steel threaded bars⁽³⁾, blocked at each side ends by respective washers, nuts and lock nuts.

⁽³⁾ allowed the use of anchors / threaded bars of size up to a maximum of M18 due to the diameter of the holes of the plate. Each of the six anchors must have a load resistance of at least **2000N (≈200kg)**

- HOLES PATTERN⁽⁴⁾



Ceiling plate of anchoring tube 'Tiges'

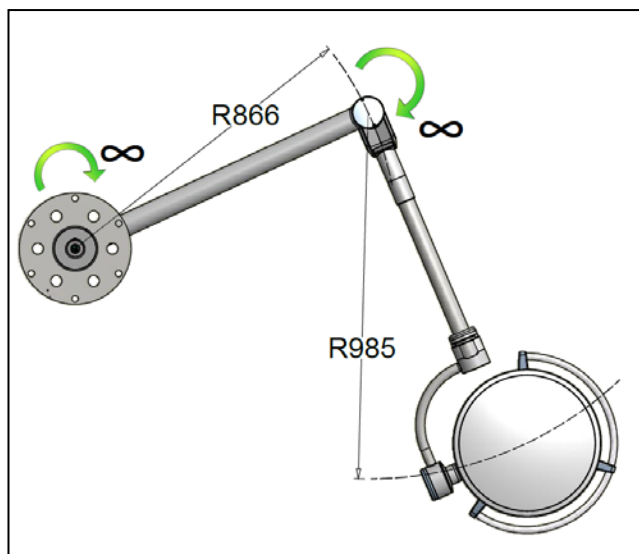
Note

(4) optionally , it is possible to require the provision of a supplementary plate and counter-plate system, to which fix then the device through the Tiges ceiling (showed beside).

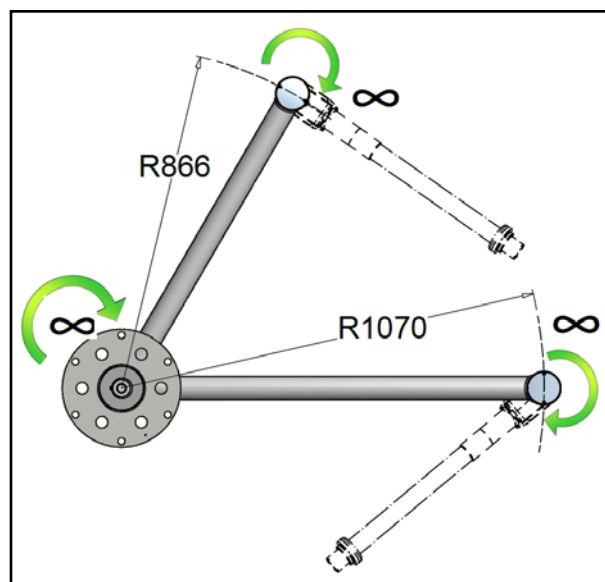
Holes pattern of supplementary system differs from the one showed beside.

Or more information or request of plate and counter-plate system, contact the customer service.

OPERATIVE AREA OF PRODUCT

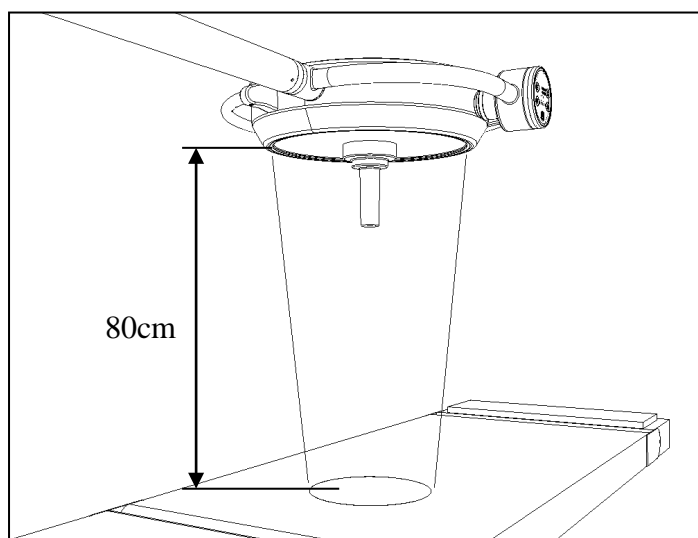


SINGLE ceiling model



DOUBLE ceiling model

WORKING DISTANCE

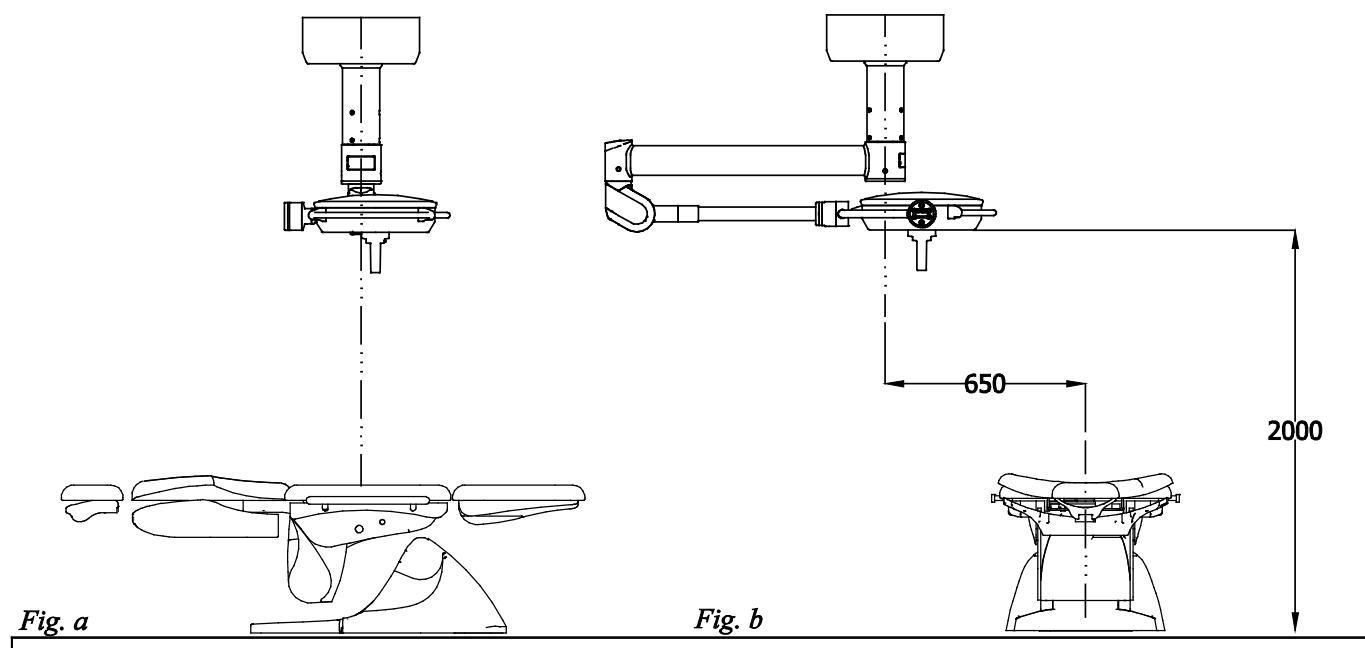


To obtain the optimization of the light intensity, it is recommended to use the product at the distance of 80cm.

However, the product ensures a good light intensity even when used at a distance range between 70cm and 130cm.

LAMP FIXING POSITION

For a functional use of device it is suggested to fix the product as shown in the following images:



Fix the ceiling plate so that the anchoring tube will be aligned on the plane passing through the seat of dental lamp (*Fig. a*) and at about 650mm from the longitudinal axis of the dental chair (*Fig. b*), ⁽⁴⁾⁽⁵⁾.

⁽⁴⁾ In the case that are present some obstacles that avoid the lamp fixing in the suggested position (for example like ceiling illumination systems), the choice of device fixing position is at total care of end user, considering on site the possible solutions which allow the lamp to not interfere with the other devices.

⁽⁵⁾ In the case of double structure lamp, consider the distances suggested referred to the main lamp (inferior cupola).